



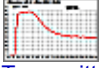
Objectives

Carl Zeiss Objectives Information

- Description of Classes of Objectives
- Objectives Text Search

Print

→ back to selection



→ Transmittance curve

Magnification	40x
Numerical Aperture	1.2
Working Distance [mm]	0.28 at cover glass 0.17
Coverglass Thickness [mm]	0.14-0.19
Thread Type	W0.8x1/36"
Immersion	Water
Field of View [mm]	25
Parfocal Length [mm]	45.06
Long Distance [LD]	
Correction Ring [Korr]	■
Iris [Iris]	

Optical System **Infinity Color corrected System (ICS)**

Flatness ★★★★★
Color Correction ★★★★★

Biomedical Applications

Fluorescence ■
- Multichannel ★★★★★
- Ultraviolet Transmission ★★★★★
- Infra Red Transmission ★★★★★
BrightField [H] ■
Differential Interference Contrast [DIC] ★★★★★
High Contrast DIC [HC DIC] ★★★★★
Polarization-Optical DIC [PlasDIC] ★★★★★
Phase Contrast [PH] ★★★★★
VAREL Contrast ★★★★★
Hoffman Modulation Contrast [HMC] ★★★★★
Polarization Contrast [POL] ★★★★★

Materials- (Reflected Light) Applications

BrightField [H] ■
BrightField/DarkField [HD] ■
Reflecting Light DIC [RL DIC] ■
High Contrast DIC [HC DIC] ■
Circular polarized light DIC [C-DIC] ■
Total Interference Contrast [TIC] ■
Polarization Contrast [POL] ■

Recommended for:

Confocal Microscopy ■
- Ultra Violet ★★★★★
- VIS (visible light) ★★★★★
NLO-IR / 2 Photon ★★★★★
Total Internal Reflection Fluorescence [TIRF] ■
ApoTome ■

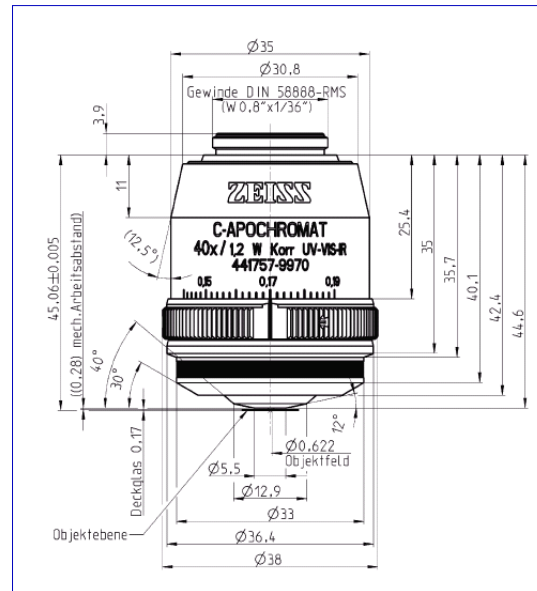
Objective
"C-Apochromat"
40x/1.20 W Corr
UV-VIS-IR
441757-9970-000

Objective Class:
C-Apochromat



Water immersion objectives for supreme demands with confocal microscopy

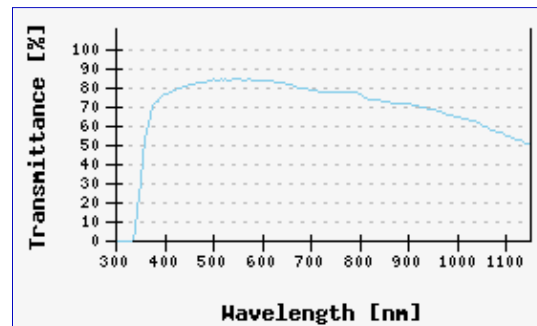
Mechanical Dimensions



All measures in [mm]

mech.Arbeitsabstand = mechanical working distance
Deckglas = cover glass
Objektabene = object plane
Objektfeld = object field
Ausleuchtung = illumination
Probenzugänglichkeit = specimen accessibility

Transmittance curve



Please note that due to production tolerances, the given values are typical only and not guaranteed.

Microdissection

Fitting Accessories for

441757-9970-000 Objective "C-Apochromat" 40x/1.20 W Corr UV-VIS-IR

DIC slider**DIC slider CA 40x/1.2 W III**

Condensor prism type III

426948-0000-000

Other Accessories**Adapter M 27x0.75 / W 0.8 H "0"**

000000-1095-168

[→ Picture](#)**Objective heater 33/38 S1 (D)**

with oil discharge channel clamping via front dia. 33.0 mm, max. objective dia. 38.0 mm

411860-9067-000

Transmission grid M "ApoTome" for "Axio Imager"

423663-0000-000

[→ Picture](#)**Transmission grid PH "ApoTome" for "Axioplan" 2**

000000-1151-001

[→ Picture](#)**Transmission grid VH "ApoTome" for "Axiovert" 200**

000000-1151-002

[→ Picture](#)**Immersion****Box of lens cleaning paper**

462975-0000-000

[→ Picture](#)**Immersion medium "Immersol" W, bottle 20 ml**

n(e)=1.3339 (23°C) for water immersion

000000-1252-136

[→ Picture](#)

© Copyright 2005-2006 by Carl Zeiss. Subject to change without notice.