



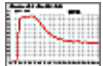
Objectives

Carl Zeiss Objectives Information

- [Description of Classes of Objectives](#)
- [Objectives Text Search](#)

Print

→ [back to selection](#)



→ [Transmittance curve](#)

Magnification	40x
Numerical Aperture	0.6
Working Distance [mm]	2.9 at cover glass 0.75
Coverglass Thickness [mm]	0-1.5
Thread Type	W0.8x1/36"
Immersion	Without Immersion
Field of View [mm]	25
Parfocal Length [mm]	45.06
Long Distance [LD]	■
Correction Ring [Korr]	■
Iris [Iris]	

Optical System **Infinity-Color-Corrected System (ICS)**

Flatness ★★★★★
Color Correction ★★★★★

Biomedical Applications

Fluorescence ■
- Multichannel ★★★★★
- Ultraviolet Transmission ★★★★★
- Infra Red Transmission ★★★★★
BrightField [H] ■
Differential Interference Contrast [DIC] ★★

High Contrast DIC [HC DIC]
Polarization-Optical DIC [PlasDIC] ■
Phase Contrast [PH] Ph 2

VAREL Contrast
Hoffman Modulation Contrast [HMC]
Polarization Contrast [POL]

Materials- (Reflected Light) Applications

BrightField [H] ■
BrightField/DarkField [HD]
Reflecting Light DIC [RL DIC]
High Contrast DIC [HC DIC]
Circular polarized light DIC [C-DIC]
Total Interference Contrast [TIC]
Polarization Contrast [POL]

Recommended for:

Confocal Microscopy ■
- Ultra Violet ★★★★★
- VIS (visible light) ★★★★★
NLO-IR / 2 Photon ★★
Total Internal Reflection Fluorescence [TIRF]
ApoTome
Microdissection ■

Objective LD "Plan-Neofluar" 40x/0.6 Corr Ph2

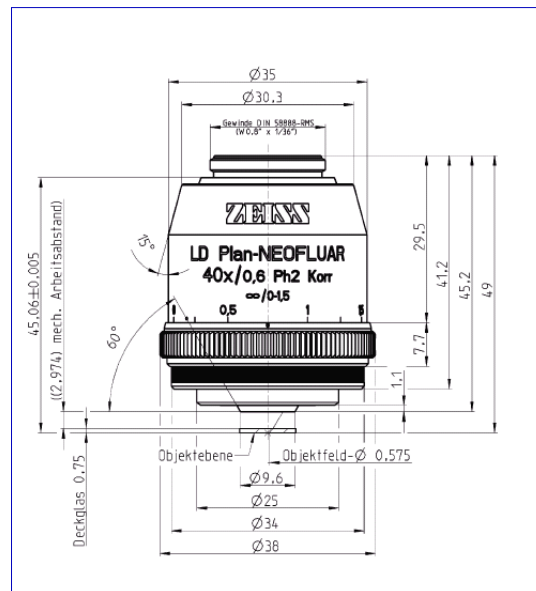
441351-9970-000

Objective Class: LD Plan-Neofluar



Objectives for inverted research microscopy with long working distance

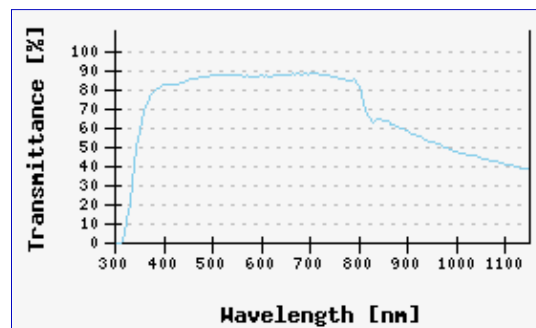
Mechanical Dimensions



All measures in [mm]

mech.Arbeitsabstand = mechanical working distance
Deckglas = cover glass
Objektebene = object plane
Objektfeld = object field
Ausleuchtung = illumination
Probenzugänglichkeit = specimen accessibility

Transmittance curve



Please note that due to production tolerances, the given values are typical only and not guaranteed.

Fitting Accessories for

441351-9970-000 Objective LD "Plan-Neofluar" 40x/0.6 Corr Ph2

DIC slider**"PlasDIC" slider for LD PN 40x/0.60 corr**

444505-0000-000

[→ Picture](#)**DIC slider LD PN 40x/0.60 II**

Condensor prism type II

426955-0000-000

[→ Picture](#)**Other Accessories****Adapter M 27x0.75 / W 0.8 H "0"**

000000-1095-168

[→ Picture](#)

© Copyright 2005-2006 by Carl Zeiss. Subject to change without notice.